

SCOPE

DESIGN BY HANS THYGE & CO

PRODUCT FACTS



PRODUCT FACTS - SCOPE

RANDERS + RADIUS

RANDERS+RADIUS | TOLSAGERVEJ 9 | 8370 HADSTEN | DENMARK | +45 70 30 05 15

SCOPE CHAIR COLLECTION

Created with environmental consideration, Scope is a new wooden chair collection designed by Hans Thyge & Co. Its wooden finishes, let you enjoy nature indoors and bring a warm and cozy feeling into your interior design. Scope is designed to reduce noise: Integrated felt pads underneath the seat improve the acoustics and shield fabric when stacked.

Scope seems very simple with its clear lines, but taking a closer look, you discover harmonious proportions, a beautifully curved detail on the edge of the seat and a replaceable stethoscope supporting the sleek and elegant backrest.

Choose between 5 different models and adapt Scope to a variety of different spaces.

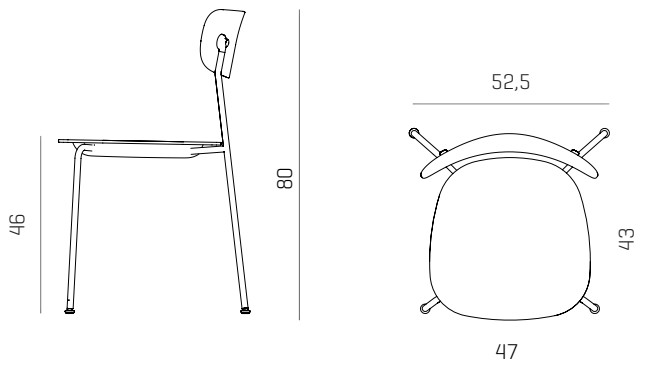
PRODUCT HIGHLIGHTS

- / Stethoscope 4 colours - Possibility for unique design
- / Integrated felt pads - sound absorbing & protects upholstery
- / Scope chair can stack 10 psc. stools 20 psc.
- / Seat and back available in 3 colours
- / Upholstery on seat and back
- / Frame available in 2 colours
- / FSC certified oak
- / Metal 50% recycled
- / Manufactured in Denmark
- / Approved L2 test [extreme use]

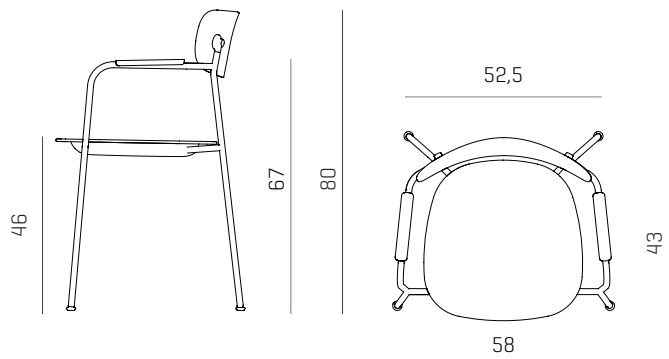


DIMENSIONS

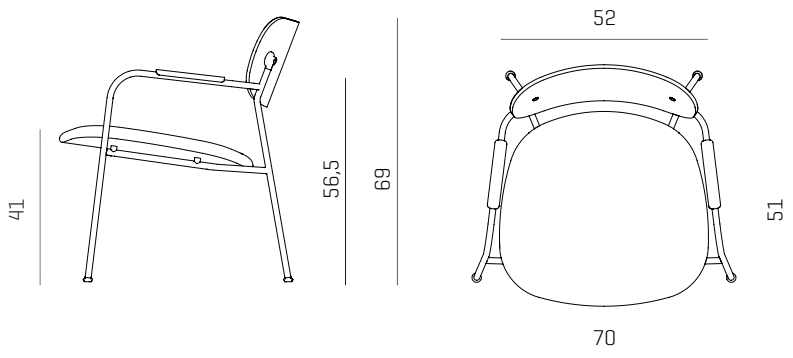
SCOPE CHAIR



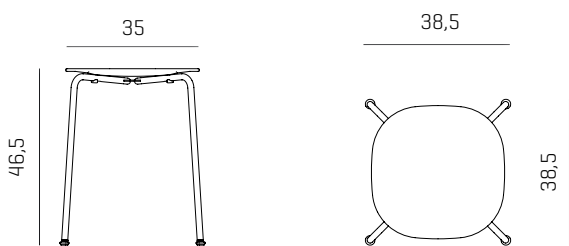
SCOPE ARMCHAIR



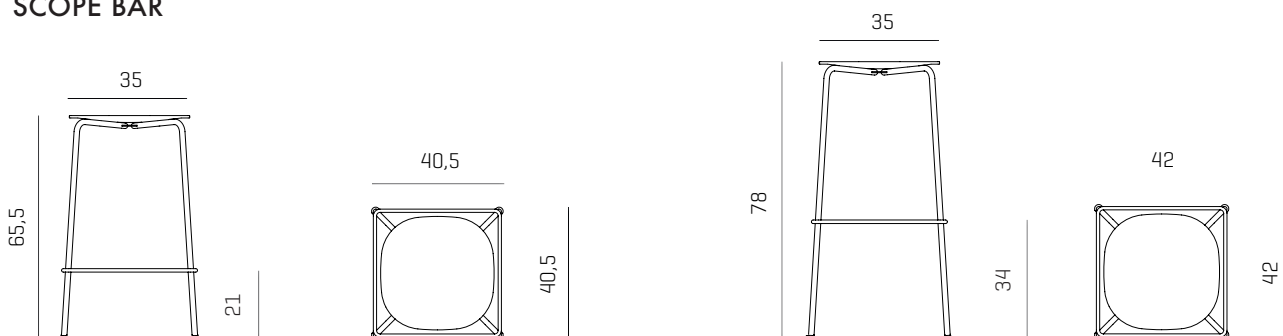
SCOPE LOUNGE



SCOPE STOOL



SCOPE BAR



PRODUCT FACTS - SCOPE

SPECIFICATIONS

Item no.	Models	Description	Seat depth, cm	Width, cm	Height, cm	Seat height, cm	Weight, kg
SC1000	Scope	seat oak/back oak	43	52,5	80	46	4,5
SC1110	Scope	seat w. upholstery/back oak	43	52,5	80	46	4,6
SC1010	Scope	seat and back w. upholstery	43	52,5	80	46	4,8
SC1050	Scope armchair	seat oak/back oak, armrest black	43	58	80	46	5,3
SC1060	Scope armchair	seat w. upholstery/back oak, armrest oak	43	58	80	46	5,5
SC1160	Scope armchair	seat and back w. upholstery, armrest black	43	58	80	46	5,8
SCL1610	Scope lounge	seat w. upholstery/back oak	51	70	69	41	6,9
SCL1660	Scope lounge	seat and back w. upholstery	51	70	69	41	7,2
SCT1074	Scope stool	seat oak	35	38,5	-	46,5	2,5
SCT1274	Scope stool	seat w. upholstery	35	38,5	-	46,5	2,7
SCB1075	Scope bar h. 65,5	seat oak	35	40,5	-	65,5	4,3
SCB1275	Scope bar h. 65,5	seat w. upholstery	35	40,5	-	65,5	4,5
SCB1076	Scope bar h. 78	seat oak	35	42	-	78	4,5
SCB1276	Scope bar h. 78	seat w. upholstery	35	42	-	78	4,7

PRODUCT FACTS - SCOPE

SEAT / BACK

Seat and back is molded with oak veneer. Seat thickness 7mm, back thickness: 7mm. Available in following colours:



Slightly white-tinted lacquered oak



Smoked lacquered oak



Black lacquered oak

FRAME

All-welded tubes Ø16 mm x 2 mm high-strength steel SSAB 500 C. Available in following colours:



Light sandy grey
NCS 2502 Y mat



Black
RAL 9005 mat

STETHOSCOPE

All-welded in solid zinc with powder coating. Available in 4 versions:



Light sandy grey
NCS 2502 Y mat



Black
RAL 9005 mat



Zinc
glass bead blasted



Brass
lacquered

ARMREST

Armrest is made of flexible Polyurethane [pur]. Available on Scope armchair og Scope lounge.



Black
RAL 9005 mat

FEATURES / ACCESSORIES

Integrated felt pad: Felt made from recycled PET plastic bottles.

Stethoscope: 4 versions [black, light sandy grey, brass and zinc]

STACKING

Item no.	Models		Dimensions (L/W/H, cm)
SC1000	Scope	10 psc. on the floor	90/52/113
SC1010	Scope w. seat upholstery	10 psc. on the floor	90/52/113
SC1050	Scope armchair	10 psc. on the floor	100/58/113
SC1060	Scope armchair w. seat upholstery	10 psc. on the floor	100/58/113
SCT1074	Scope stool	20 psc. on the floor	38,5/38,5/121
SCT1274	Scope stool w. upholstery	20 psc. on the floor	38,5/38,5/121
SCB1075	Scope bar h. 65,5 cm	2 psc. on the floor	40,5/40,5/86
SCB1275	Scope bar h. 65,5 cm w. upholstery	2 psc. on the floor	40,5/40,5/86
SCB1076	Scope bar h. 78 cm	2 psc. on the floor	42/42/98
SCB1276	Scope bar h. 78 cm w. upholstery	2 psc. on the floor	42/42/98

CLEANING

Everyday cleaning: Wipe the chair with a clean damp cloth. If the chair is dirty, dip a cloth in soapy water, wring it out and wipe the chair.

ENVIRONMENT

Seat and back is made from FSC certified oak. In an FSC certified forest, no more trees are felled than the forest can regrow. At the same time, the FSC label is a guarantee that plants and animals will be protected, and that the people who work in the forest are trained and receive a proper salary.

All metal parts is made from 50% recycled metal. Integrated felt pad is made from recycled PET plastic bottles.

TEST / CERTIFICATES

L2 [Extreme use]

EN 16139:2021 [Furniture - strength, durability and safety - Requirements for non domestic seating]

Approved for 200 kg. on seat and 70 kg. on back.